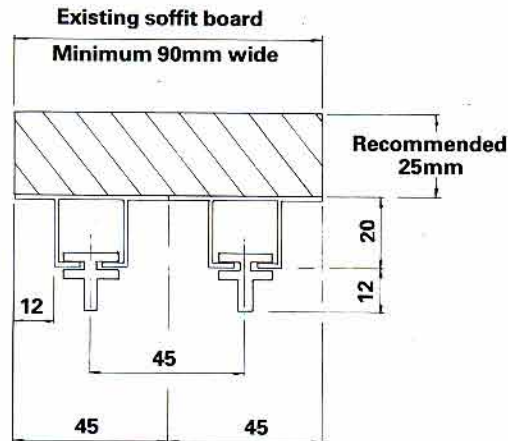
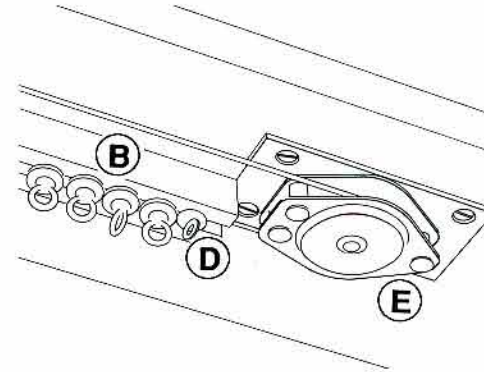
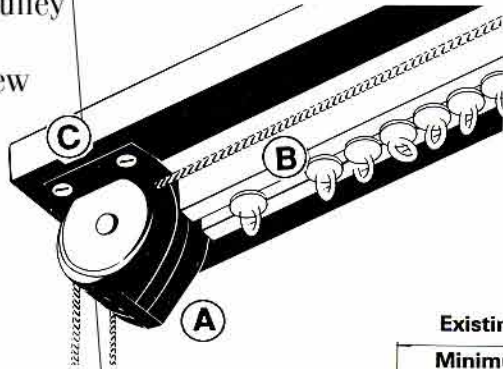


## T200 Track Systems

- A) T200 Handline Head Pulley
- B) T200 Slider
- C) T200 Wood Fixing Screw
- D) T200 End Stop
- E) T200 Return Pulley



## T200 Track Details

The T-200 Satin Curtain Track is designed for use where an unobstrusive track is required in the heavy domestic, club or boardroom situation. It is manufactured from continuously extruded aluminium, which is anodised to give a smooth satin finish.

The operation of the T-200 Satin Track can be handline, handwinch, electronic controller or walkalong method. The operating pulleys are moulded in self-lubricating nylon and are smooth and silent in use.

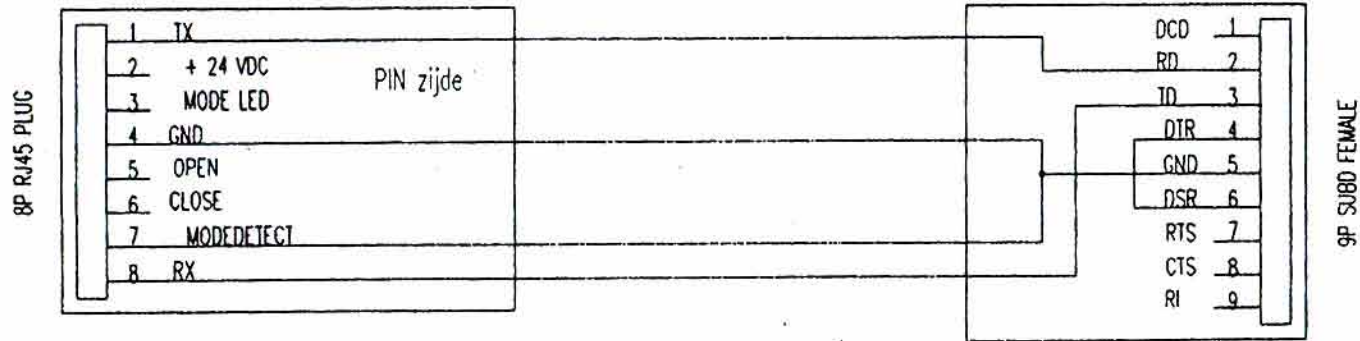
Fixing of the T-200 Track is by wood screws every 300mm through pre-drilled holes into an existing soffit board.

The T-200 Track can only be used where a straight overlapped or single curtain is required as all track sections are single piece, eleviating the need for joints. The maximum recommended length of the T-200 is 10 metres overlapped or 5.50 metres single track. The moulded nylon guides are spaced at 100mm centres and have a recommended maximum load of 0.5 kilo.



## T300 Computer Cable Wiring Diagram

Computercable for software T300 system.

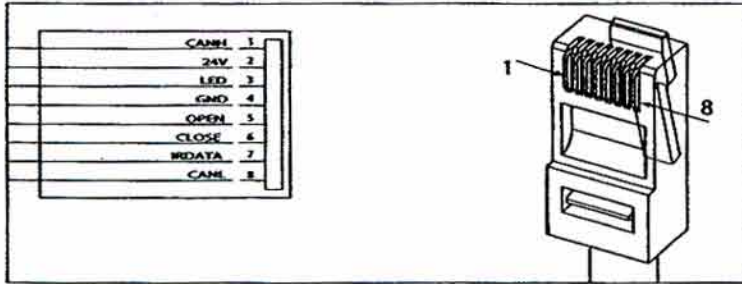


Van 8P RJ45 PLUG TO 9P SUBD FEMALE CABLE



### Pin definition

- Overview of all functions of an 8-Pin RJ45 connector
- Pin numbering as illustrated on the right:

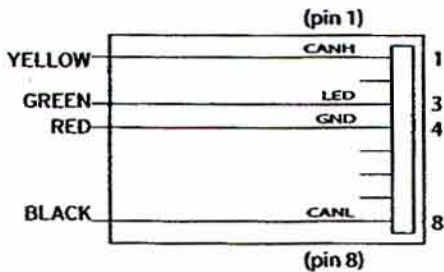


The T300 CAN-BUS must not be linked with a 6 or 8-core cable.

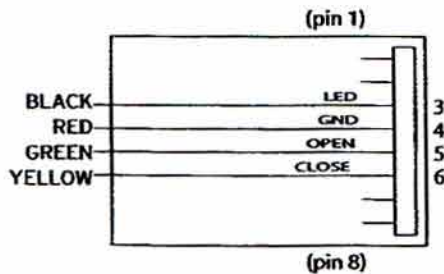
### Wiring connector RJ45

Wiring with a 4-lead cable [FCC-68 standard with a lead size of 7/0.16 mm (26 AWG)]. Connection of the LED wire is not required for the system to function, it can either be connected or cut away, whatever is easiest.

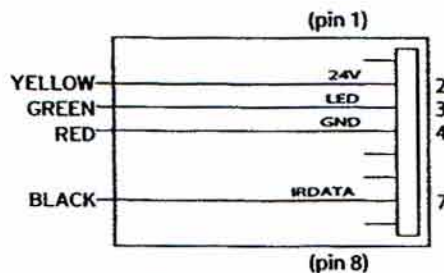
(pin numbering as illustrated above).



**TYPE A:**  
connector wiring for BUS



**TYPE B:**  
connector wiring for switching components and external DOMOTICA systems



**TYPE C:**  
connector wiring for infrared eye (when reducing cable length)

# Hall Stage

PURVEYORS OF INNOVATIVE ENGINEERING SINCE 1898

## Electrically operated

# T300 TRACK

from  
Hall Stage

A compact, versatile  
and virtually silent  
track system from  
Hall Stage. For all  
AV/masking, stage  
and presentation  
requirements.

- Virtually silent operation
- Pre-set speed 15 or 25 cms / second
- Infrared control as standard
- 24volt motor - prewiring not necessary
- Minimum bending radius 20 cms
- Also available with dual motor units
- Track available in black or white

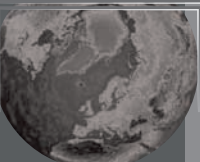
Hall Stage T300 Track is a powerful low voltage (24V) electrically operated curtain track system that is delivered ready to assemble with infrared remote control as standard. Suitable for both 110 and 240 Volt supply, system T300 can be installed quickly and simply. Setting the end of travel positions is easily carried out using the infrared transmitter supplied. With programmable 5-stop control integrated 'CAN-BUS' intelligence, the T300 is suitable for the most demanding audio visual/masking, stage and presentation applications.

Hall Stage Limited  
Unit 4 Cosgrove Way Luton,  
Bedfordshire LU1 1XL UK  
Tel: +44 (0) 845 345 4255  
Fax: +44 (0) 845 345 4256  
e-mail: sales@hallstage.com

See the T300 system...  
and the thousands of other Hall Stage  
products at your Theatre Equipment  
supplier now...or visit

[www.hallstage.com](http://www.hallstage.com)

Your Stage...



Our world



## General Specifications

# T300 TRACK

### Application

Multi purpose electrically controlled track with high performance motor unit suitable for multi-system connections. Used in a wide range of audio visual, presentation and display applications.

### Material / Finish

Aluminium (higher specification than DIN 1725).

Anodised or powder coated, black or white as standard (colour co-ordinated components).

Special colours available upon request.

Supplied maximum 3 metre sections.

Profile weight: 567gm per linear metre.

### Capacity

Straight: Single 60kg ; Tandem 100kg

1 curve: Single 50kg; Tandem 90kg

2 curves: 45kg; Tandem 80kg

1 large curve: Single 45kg; Tandem 80kg

Please refer to Load Table opposite for complete details

### Installation

Bracket	Max curtain weight	Fixing centres
Top Fix 11276	100kg	60cm; 30cm at curtain stacking points

Face Fix 11276 + 11277	100kg	60cm; 30cm at curtain stacking points
---------------------------	-------	---------------------------------------

Max. load:-

Per glider: 1kg Spacing 100mm

Per wheeled runner: 1.5kg Spacing 100mm

Stacking centres for gliders and wheeled runners: 10mm

Delivered pre-wired for simple 24volt installation.

### Bending

Minimum radius: 20cm

### Track forms or configurations

Wide range of configurations using standard lengths as straight or curved sections.

### Operation

Infrared hand-held control with 5 programmable stops: Easy control and on-site programming of the system using hand sender. 'CAN-BUS' control for AV presentations.

Individual/group control via hand-held remote or CAN-BUS.

Pre-programmed stops can be replayed via manual switching or relay closures.

RF control available.

Travel speed: Set at 15cm/sec. or 25cm/sec.

Variable speed motor facility: Launching/docking speeds and distances pre-programmed by Hall Stage or approved distributor.

### Accessories

Master Release System: Allows for manual operation of curtains in the event of a power failure.

Wall Return Set: Allows curtain to be hung past the track and motor to 'box in' the whole system.

Projection Glider: Max. curtain weight 15kg.

Range of power supplies available for multiple systems.

### LOAD TABLE

(Maximum total curtain weight - kg. Maximum load per glider: 1kg)

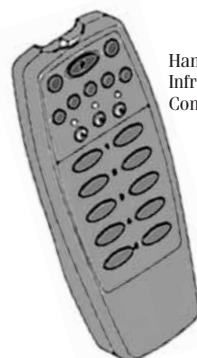
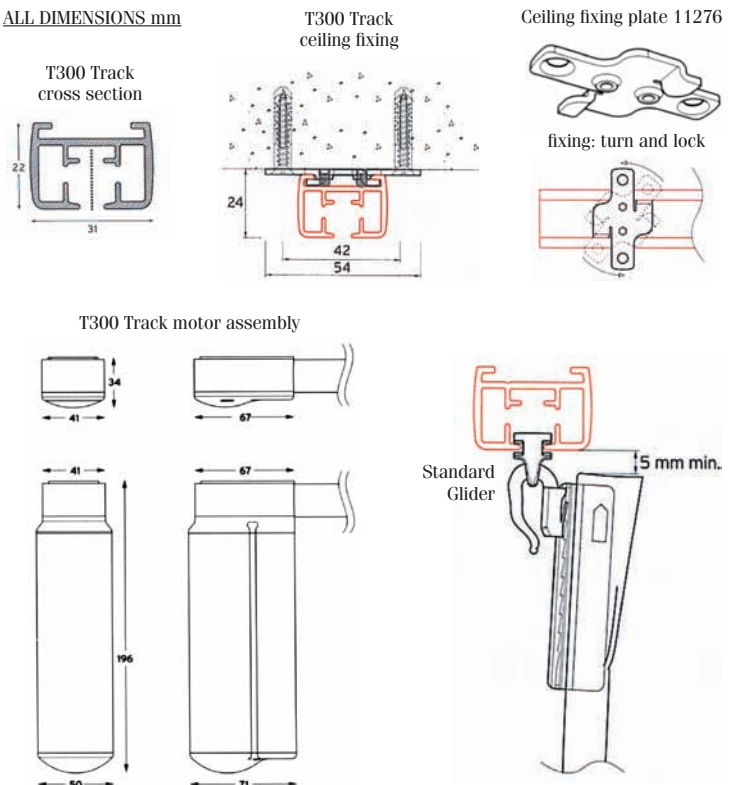
(Length metres)	1m	2m	3m	4m	5m	6m	7m	8m	9m	10m	11m	12m	13m	14m	15m	16m	17m	18m	
(Weight kg)																			
Straight	10	20	30	40	50	60	60	60	60	60	60	60	60	60	60	60	60	60	60
Straight (Tandem)							70	80	90	100	100	100	80	80	80	80	80	80	80
1 Curve	10	20	30	40	50	50	50	50	50	50	50	50	50	50	50	50	50	50	50
1 Curve (Tandem)							60	70	80	90	90	90	90	70	70	70	70	70	70
2 Curves	10	20	30	40	45	45	45	45	45	45	45	45	45	45	45	45	45	45	45
2 Curves (Tandem)							50	60	70	80	80	80	80	60	60	60	60	60	60
1 Large Curve	10	20	30	40	45	45	45	45	45	45	45	45	45	45	45	45	45	45	45
1 Large Curve (Tandem)							50	60	70	80	80	80	80	60	60	60	60	60	60

This table indicates the maximum total curtain load using standard gliders at 100mm centres.

Tandem = Dual motor unit

Curve = a 90° curve or two 45° curves. Large curve = a gradual curve with a radius of 1 metre or more.

### ALL DIMENSIONS mm



Full specifications of the T300 Track range and other fine stage and theatre products may be obtained from our web site as downloadable Product Data Sheets.

For more information visit [www.hallstage.com](http://www.hallstage.com) or enquire via e-mail: [sales@hallstage.com](mailto:sales@hallstage.com)

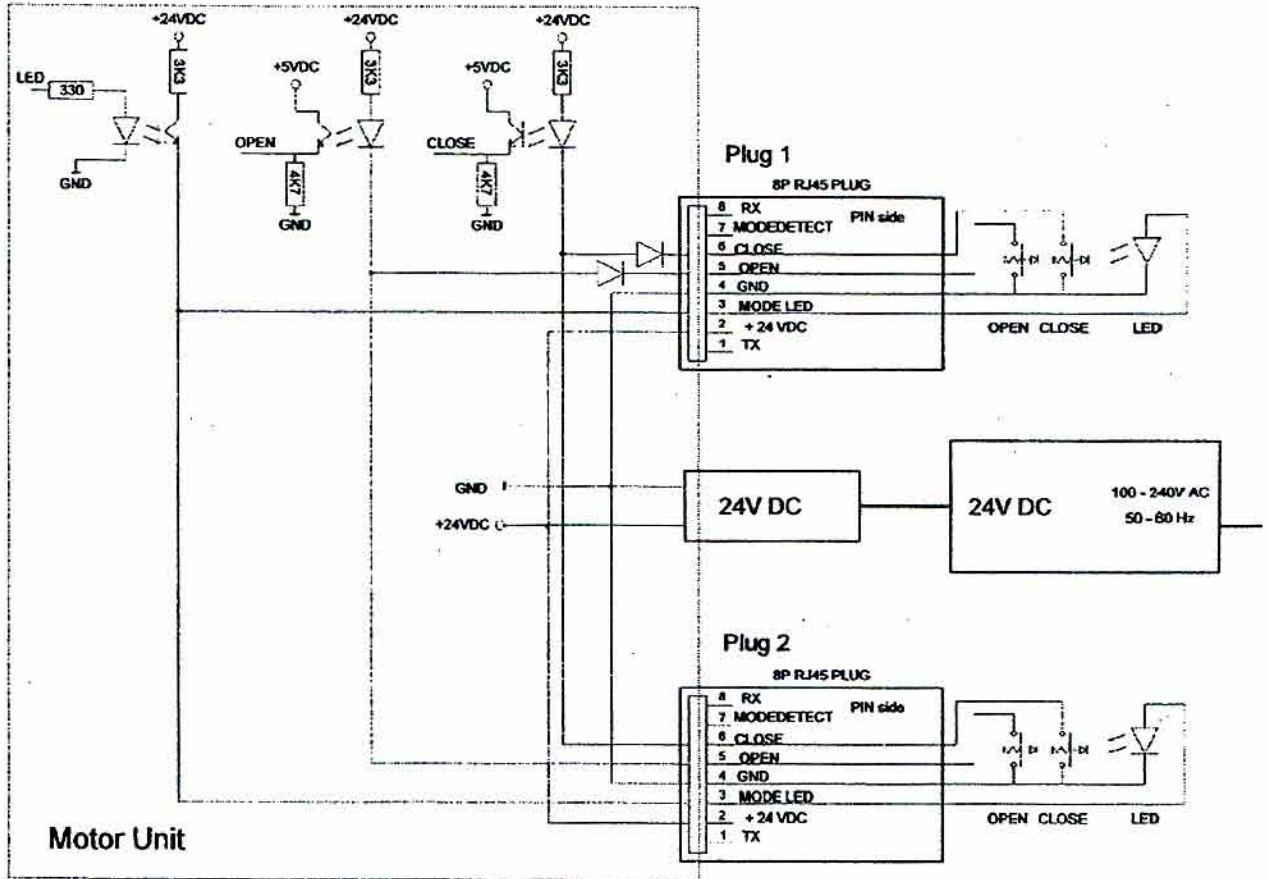
In line with a programme of continued product development and improvement, Hall Stage Limited reserve the right to vary the specification, design or construction of any products/equipment described or offered for sale, or to withdraw or replace products/equipment without prior notification or public announcement.

**Hall Stage**  
PIONEERS IN INNOVATIVE ENGINEERING SINCE 1988

Tel: +44 (0) 845 345 4255  
Fax: +44 (0) 845 345 4256

Hall Stage Limited, Unit 4, Cosgrove Way, Luton, Bedfordshire, LU1 1XL, UK

## T300 Switching Wiring Diagram



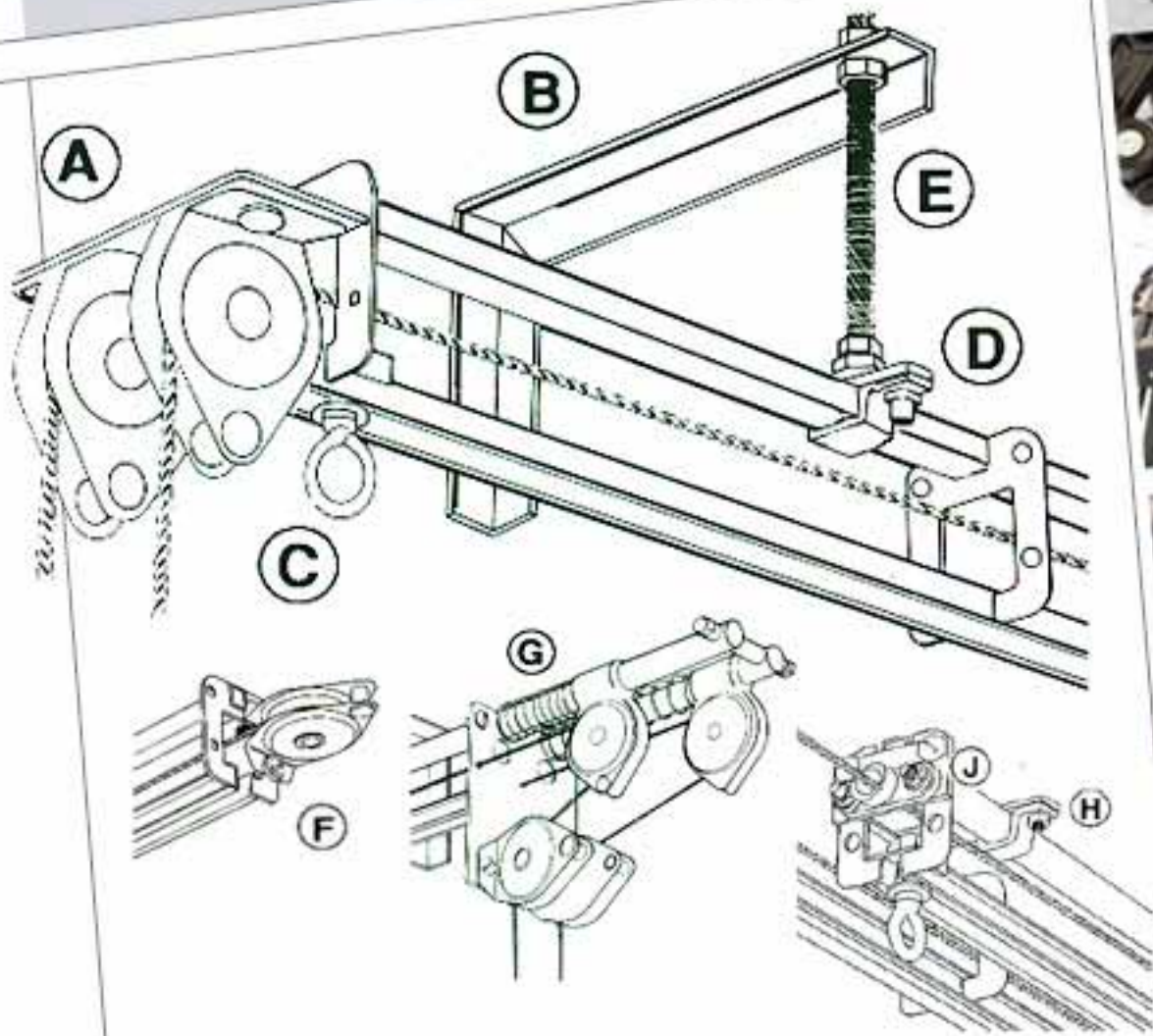
1. Always use switches that generate a pulse of current (returns to its original position by spring).
2. If a home automation system is wired, it has to be time controlled. (let us know by ordering)
3. Switching current 2.7mA per motor unit.
4. Always switch in such way that the circuits are electrically separated. (potential-free switching)
5. Bouncing of the switching contacts should not exceed 0,09 sec.
6. Input voltage 24 VDC with a max. Voltage-deviation of 5 %.
7. The 24VDC outputload should not exceed 2,4 VA.
8. Contacts 1 and 8 should not be used.
9. Not complying with the demands means loss of guarantee.

# Hall Stage

PURVEYORS OF INNOVATIVE ENGINEERING SINCE 1898

Unit 4, Cosgrove Way, Luton, Beds, LU1 1XL  
Tel: 0945 345 4255 Fax: 0945 345 4256  
sales@hallstage.com www.hallstage.com

## T400 Curtain Track



- A T400 Handline Head Pulley
- B T400 Face Fixing Bracket
- C T400 Stop Bracket
- D T400 Stud Fixing Saddle
- E T400 M8 x 150mm Stud
- F T400 Return Pulley
- G T400 Cable Head Pulley
- H T400 Overlap Clip
- J T400 Line Guide

# Hall Stage

PURVEYORS OF INNOVATIVE ENGINEERING SINCE 1898

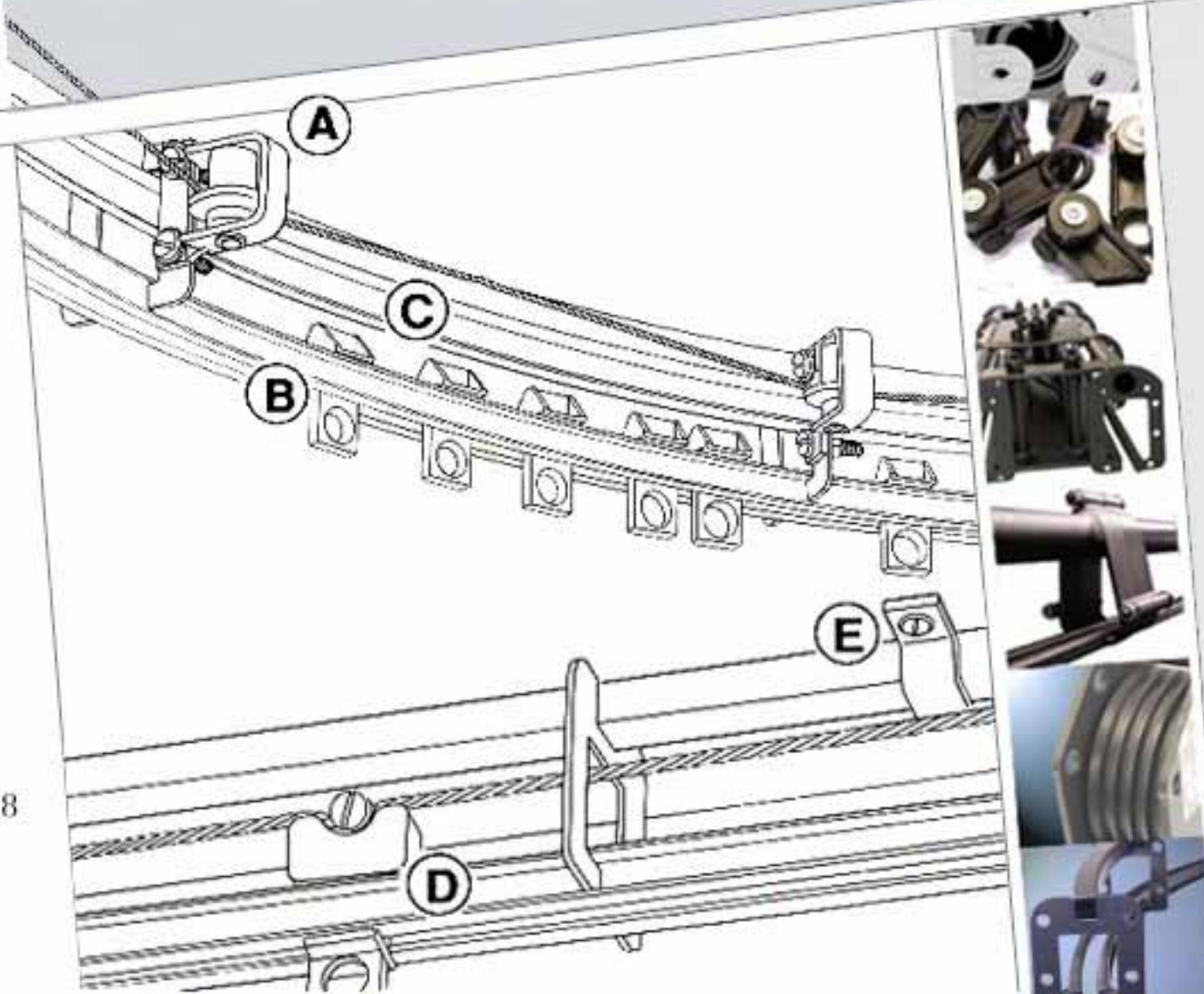
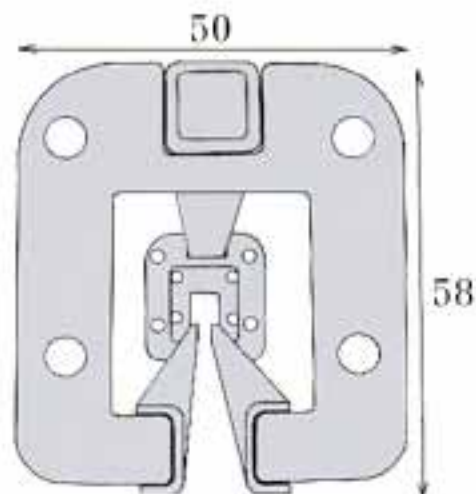
Unit 4, Gosgrove Way, Luton, Beds, LU1 1XL

Tel 0845 345 4255 Fax 0845 345 4256

sales@hallstage.com www.hallstage.com

## T400 Track Systems

- A) T400 Curve Guide Roller
- B) T400 Slider Carrier
- C) Curve Guide Rail
- D) T400 Slider Leader
- E) T400 Top Fixing Saddle



## T400 Cable Track Assembly Diagram

DETAIL SHOWING METHOD OF JOINING TRACK SECTIONS

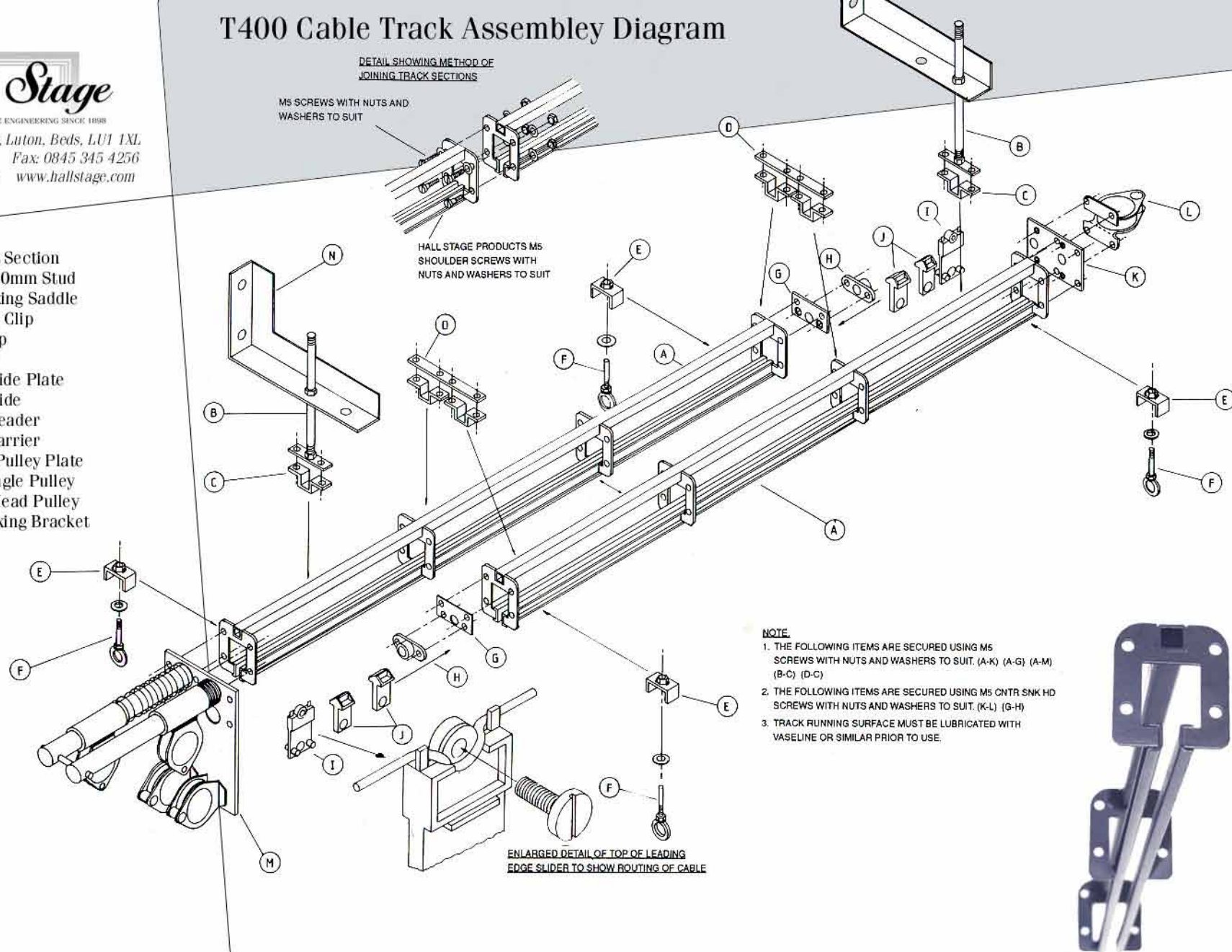
M5 SCREWS WITH NUTS AND WASHERS TO SUIT

HALL STAGE PRODUCTS M5 SHOULDER SCREWS WITH NUTS AND WASHERS TO SUIT

**NOTE**

1. THE FOLLOWING ITEMS ARE SECURED USING M5 SCREWS WITH NUTS AND WASHERS TO SUIT. (A-K) (A-G) (A-M) (B-C) (D-C)
2. THE FOLLOWING ITEMS ARE SECURED USING M5 CNTR SHK HD SCREWS WITH NUTS AND WASHERS TO SUIT. (K-L) (G-H)
3. TRACK RUNNING SURFACE MUST BE LUBRICATED WITH VASELINE OR SIMILAR PRIOR TO USE.

ENLARGED DETAIL OF TOP OF LEADING EDGE SLIDER TO SHOW ROUTING OF CABLE



- A) T400 Straight Section
- B) T400 M8 x 150mm Stud
- C) T400 Stud Fixing Saddle
- D) T400 Overlap Clip
- E) T400 End Stop
- F) End Stop Eye
- G) T400 Line Guide Plate
- H) T400 Line Guide
- I) T400 Slider Leader
- J) T400 Slider Carrier
- K) T400 Return Pulley Plate
- L) 38mm Dia Single Pulley
- M) T400 Cable Head Pulley
- N) T400 Face Fixing Bracket

# Hall Stage

PUYEVYORS OF INNOVATIVE ENGINNERING SINCE 1988

Unit 4, Gosgrove Way, Luton, Beds, LU1 1XL

Tel 0845 345 4255 Fax 0845 345 4256

sales@hallstage.com www.hallstage.com

## T400 Track Details



The compact T400 Curtain Track System has been designed as a light duty track, most suitable for use with smaller stages and large windows.

Other areas in which this curtain track system has proved it's versatility are in small television and video studio cycloramas, especially where chromakey double tracks are required in a restricted area, school drama, auditorium windows and also crematoria curtains.

The method of working the Compact T400 Curtain Track may be either electric controller, handwinch, handline or walkalong methods.

Manufactured from steel and electrically welded, this track is available in a standard range of straight and curved track sections from which it is possible to construct an infinite range of track configurations, all joints being interchangeable. Slides for the Compact T400 Track have a maximum loading capability of 1.70 kilos and these should be spaced at 200mm intervals along the curtain head length of track.

The recommended maximum length of track in normal use is 10 metres, this figure applies to both single and overlapped tracks.



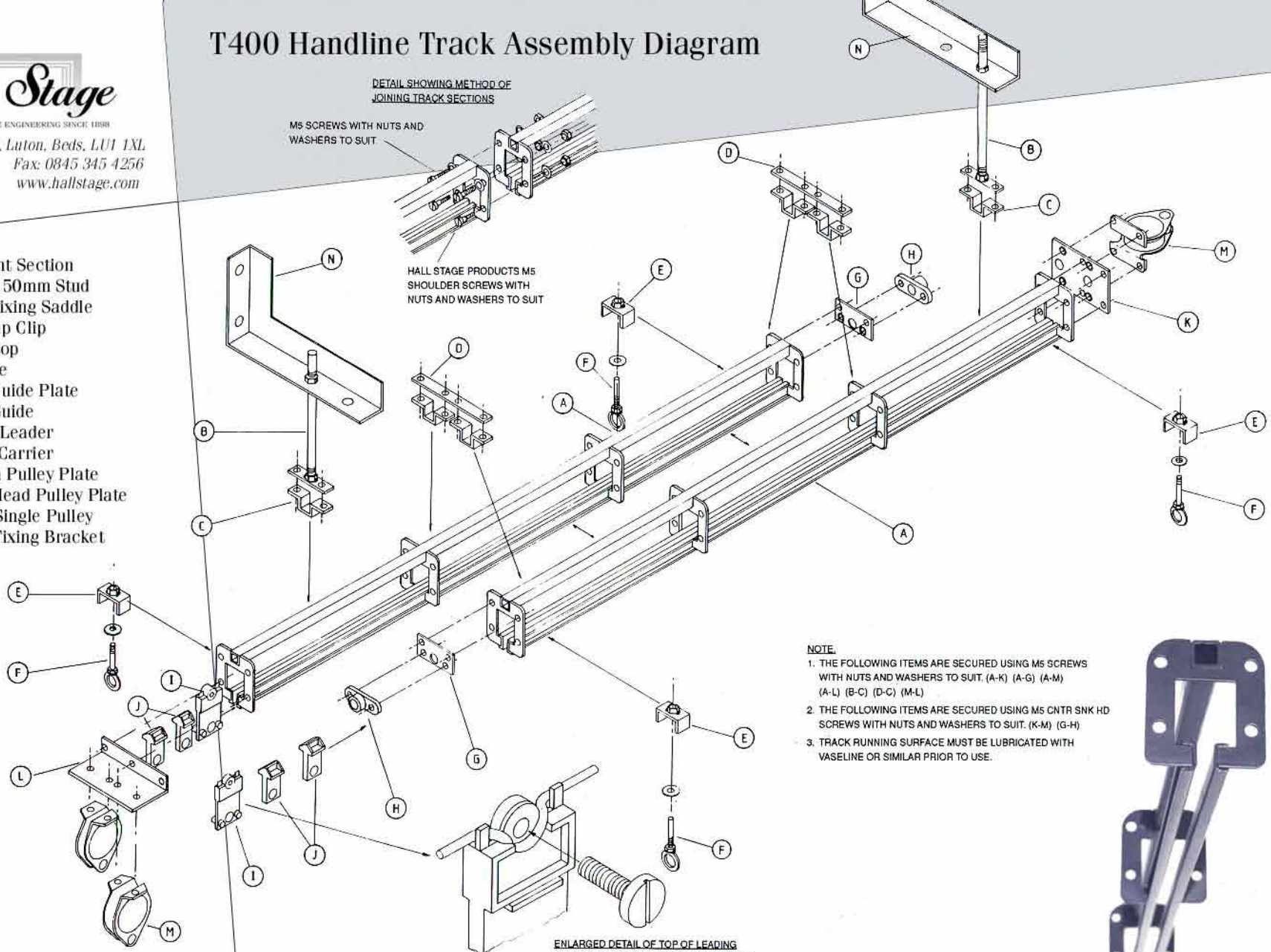
## T400 Handline Track Assembly Diagram

DETAIL SHOWING METHOD OF JOINING TRACK SECTIONS

M5 SCREWS WITH NUTS AND WASHERS TO SUIT

HALL STAGE PRODUCTS M5 SHOULDER SCREWS WITH NUTS AND WASHERS TO SUIT

- A) T400 Straight Section
- B) T400 M8 x 150mm Stud
- C) T400 Stud Fixing Saddle
- D) T400 Overlap Clip
- E) T400 End Stop
- F) End Stop Eye
- G) T400 Line Guide Plate
- H) T400 Line Guide
- I) T400 Slider Leader
- J) T400 Slider Carrier
- K) T400 Return Pulley Plate
- L) T400 Sash Head Pulley Plate
- M) 38mm Dia Single Pulley
- N) T400 Face Fixing Bracket



**NOTE.**

1. THE FOLLOWING ITEMS ARE SECURED USING M5 SCREWS WITH NUTS AND WASHERS TO SUIT. (A-K) (A-G) (A-M) (A-L) (B-C) (D-C) (M-L)
2. THE FOLLOWING ITEMS ARE SECURED USING M5 CNTR SNK HD SCREWS WITH NUTS AND WASHERS TO SUIT. (K-M) (G-H)
3. TRACK RUNNING SURFACE MUST BE LUBRICATED WITH VASELINE OR SIMILAR PRIOR TO USE.

ENLARGED DETAIL OF TOP OF LEADING EDGE SLIDER TO SHOW ROUTING OF CORD



# Hall Stage

PUYVEYERS OF INNOVATIVE ENGINEERING SINCE 1909

Unit 4, Cosgrove Way, Luton, Beds, LU1 1XL

Tel: 0845 345 4255 Fax: 0845 345 4256

sales@hallstage.com www.hallstage.com

## T400 Mounting Details



### Standard Fixing Arrangements

A standard range of suspension fittings are manufactured for use with the Compact T400 Track System. In most cases they allow for final curtain height adjustment, particularly useful where fabric is inclined to shrink or drop following cleaning.

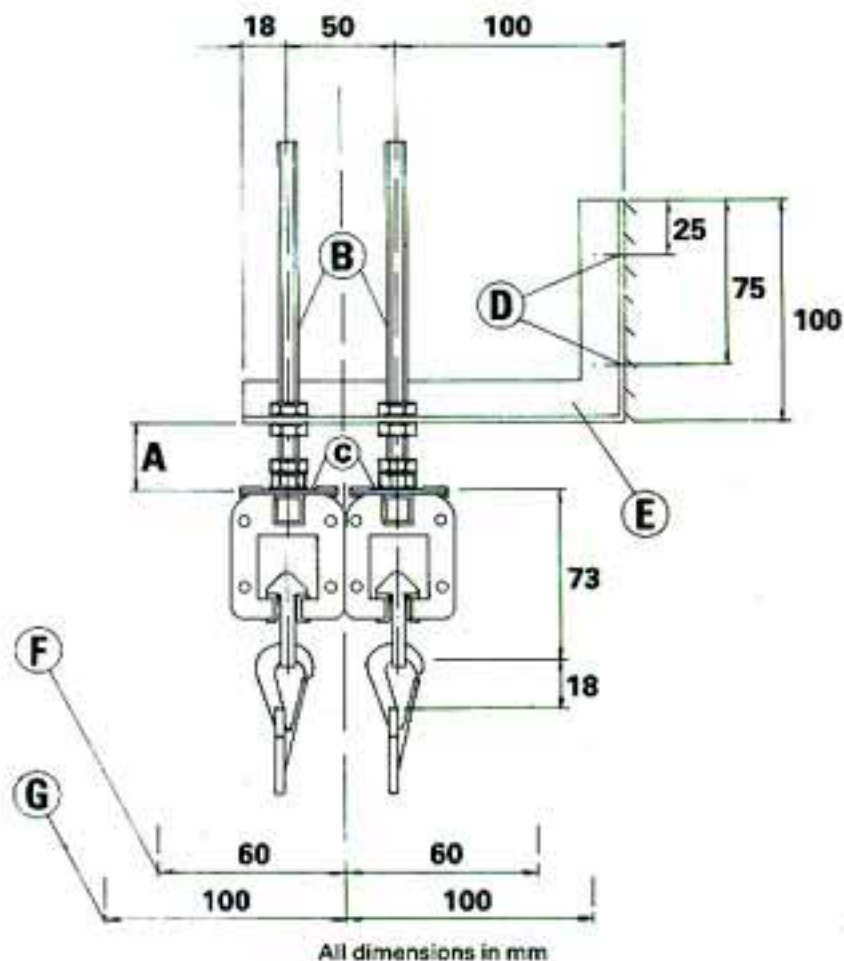
All suspension fittings should be spaced at intervals not exceeding 1.5 metre along the length of the track and 1.00 metre where the bunched curtain is stored.

Any fixing required which is not covered by our standard range can be easily fabricated to order.



## T400 Mounting Details

- A) Degree of adjustment  
Between 15mm - 130mm
- B) T400 M8 x 150mm Stud
- C) T400 Stud Fixing Saddle
- D) M8 Clearance Hole
- E) T400 Face Fixing Bracket
- F) Recommended Ceiling  
Recess For Tracks
- G) Recommended Clearance  
For Curtains



# Hall Stage

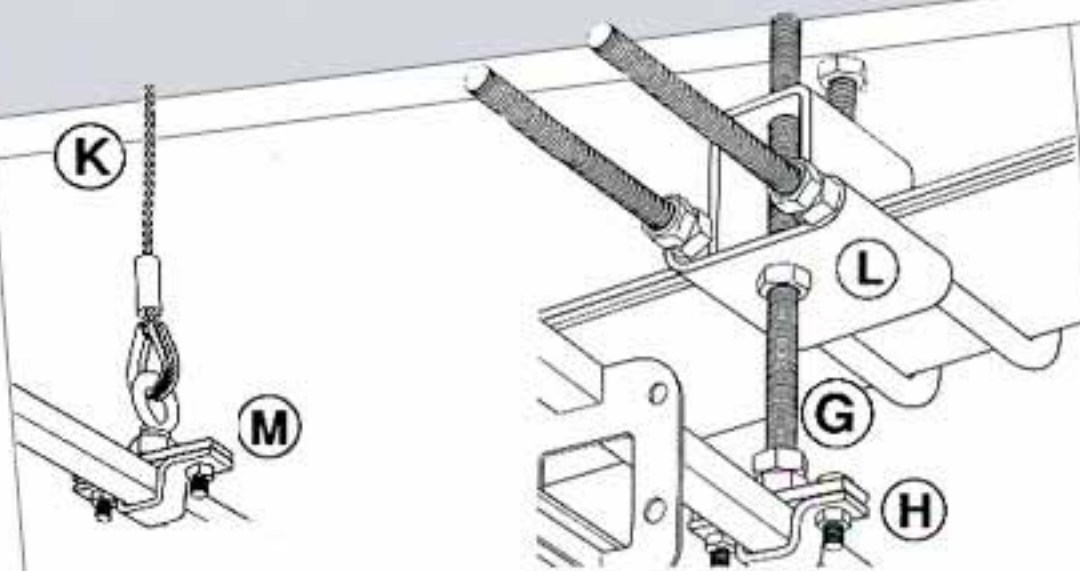
PURVEYORS OF INNOVATIVE ENGINEERING SINCE 1898

Unit 4, Cosgrove Way, Luton, Beds, LU1 1XL

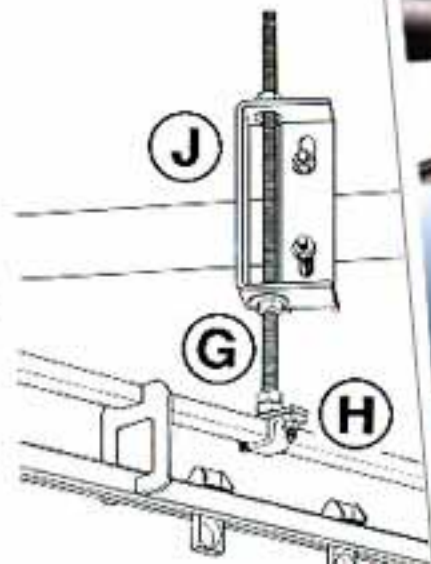
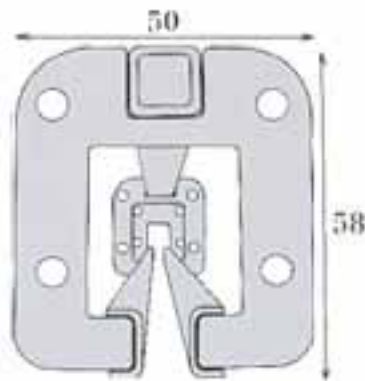
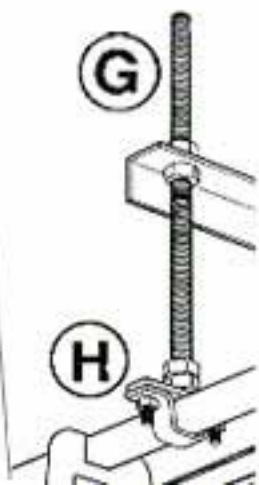
Tel: 0845 345 4255 Fax: 0845 345 4256

sales@hallstage.com www.hallstage.com

## T400 Mounting Details



- G) T400 M8 x 150mm Stud
- H) T400 Stud Fixing Saddle
- J) T400 Tube Fixing Clip
- K) 4mm 6/19 Steel Wire Rope
- L) T400 Girder Fixing Clamp
- M) T400 Dead Line Suspension Clip



## T400 Track Dimensions

