

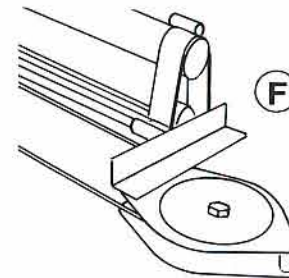
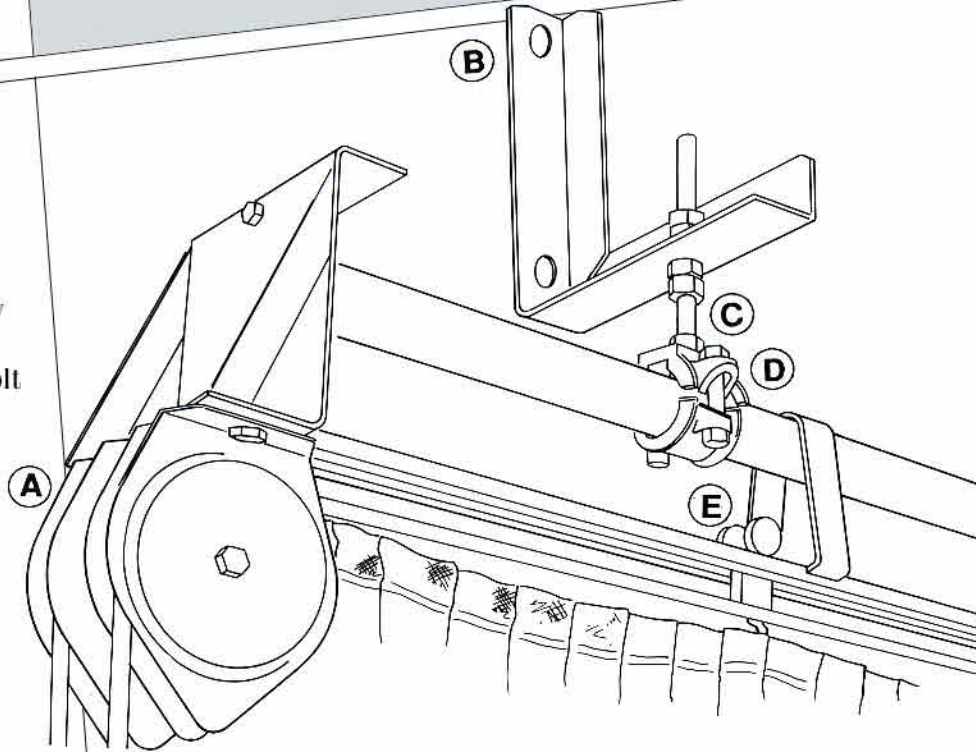
Hall Stage

PURVEYORS OF INNOVATIVE ENGINEERING SINCE 1988

Unit 4, Cosgrove Way, Luton, Beds, LU1 1XL
Tel: 0845 345 4255 Fax: 0845 345 4256
sales@hallstage.com www.hallstage.com

T70 Curtain Track

- A) T70 Hand Line Head Pulley
- B) T70 Face Fixing Bracket
- C) T70 M12 x 150mm Stud Bolt
- D) T70 Universal Clamp
- E) T70 Wheeled Runner
- F) T70 Return Pulley



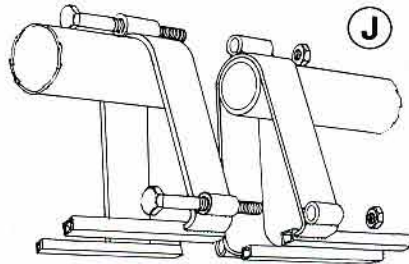
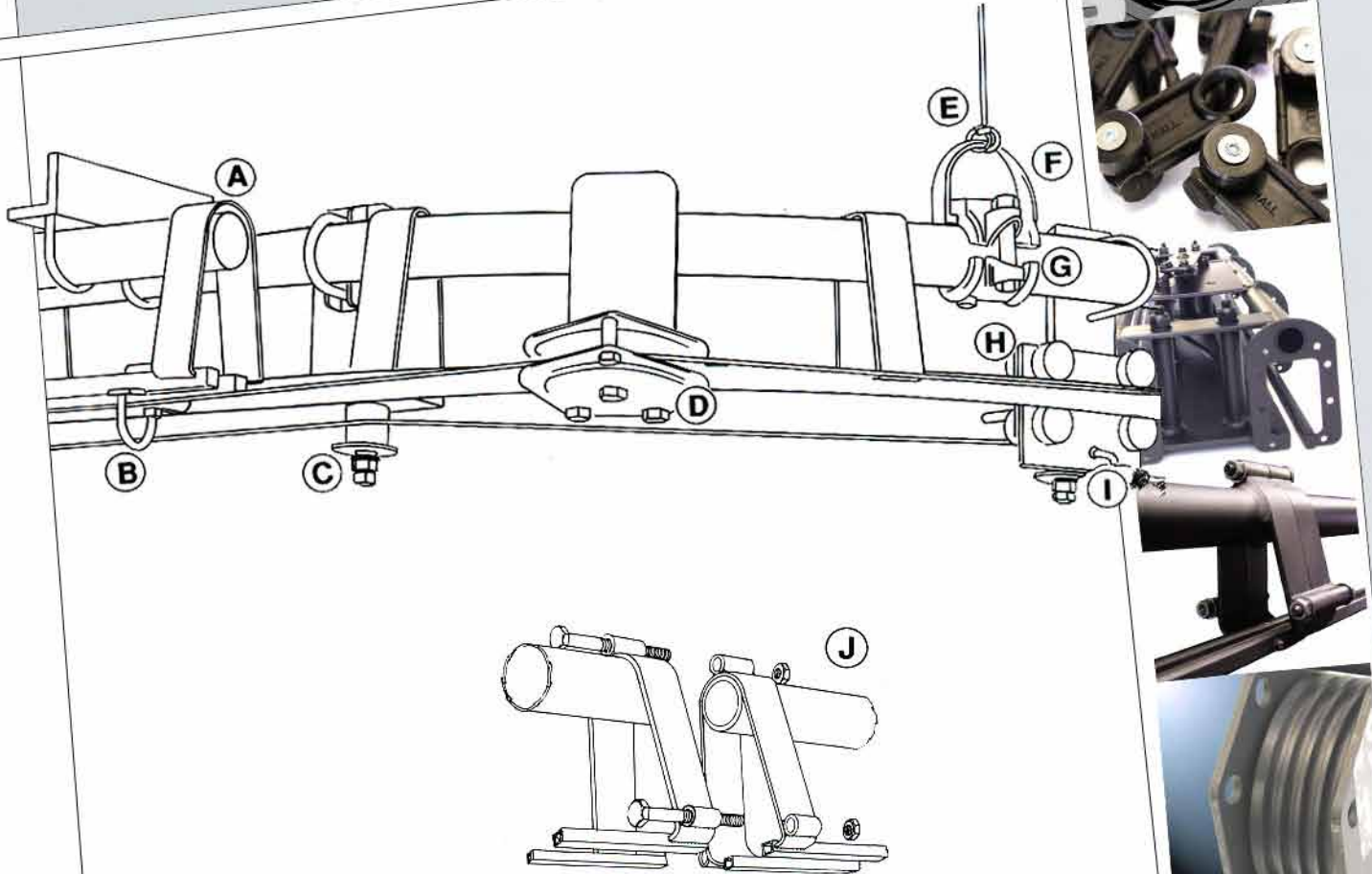
Hall Stage

PURVEYORS OF INNOVATIVE ENGINEERING SINCE 1988

Unit 4, Cosgrove Way, Luton, Beds, LU1 1XL
Tel: 0845 345 4255 Fax: 0845 345 4256
sales@hallstage.com www.hallstage.com

T70 Track Systems

- A) T70 Overlap Clip
- B) T70 End Stop with Line Support
- C) T70 Curve Single Take Off Roller
- D) T70 Curve Guide Pulley
- E) Cable Grip
- F) T70 "D" Ring
- G) T70 Universal Clamp
- H) T70 Master Carrier
- I) Tab Hook
- J) T70 Joint Bolt Set



Hall Stage

PURVEYORS OF INNOVATIVE ENGINEERING SINCE 1988

Unit 4, Cosgrove Way, Luton, Beds, LU1 1XL
 Tel: 0845 345 4255 Fax: 0845 345 4256
 sales@hallstage.com www.hallstage.com

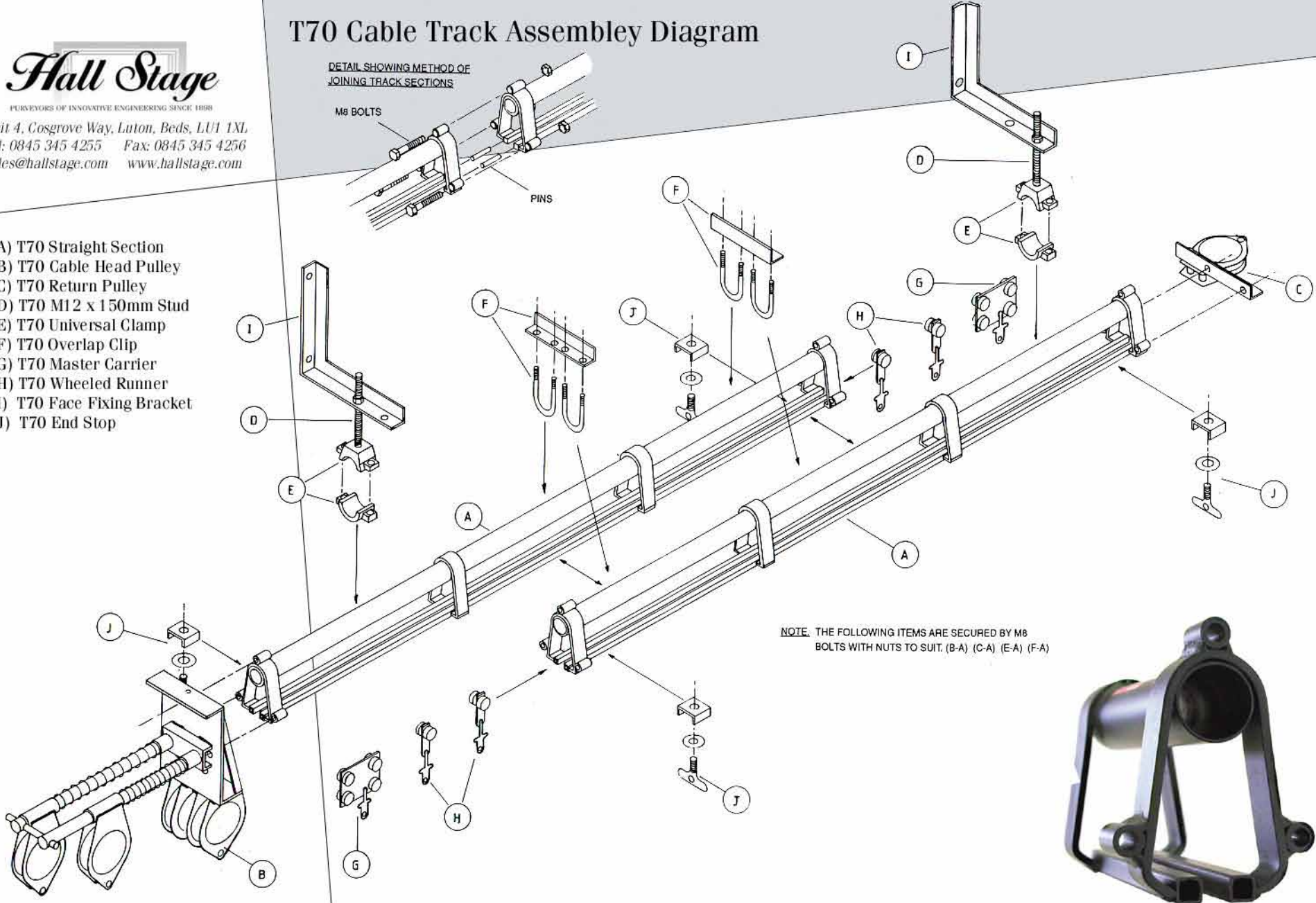
T70 Cable Track Assembly Diagram

DETAIL SHOWING METHOD OF JOINING TRACK SECTIONS

M8 BOLTS

PINS

- A) T70 Straight Section
- B) T70 Cable Head Pulley
- C) T70 Return Pulley
- D) T70 M12 x 150mm Stud
- E) T70 Universal Clamp
- F) T70 Overlap Clip
- G) T70 Master Carrier
- H) T70 Wheeled Runner
- I) T70 Face Fixing Bracket
- J) T70 End Stop



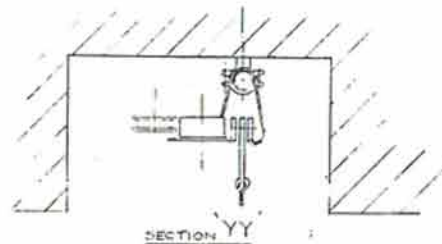
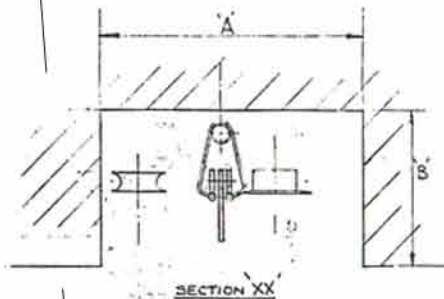
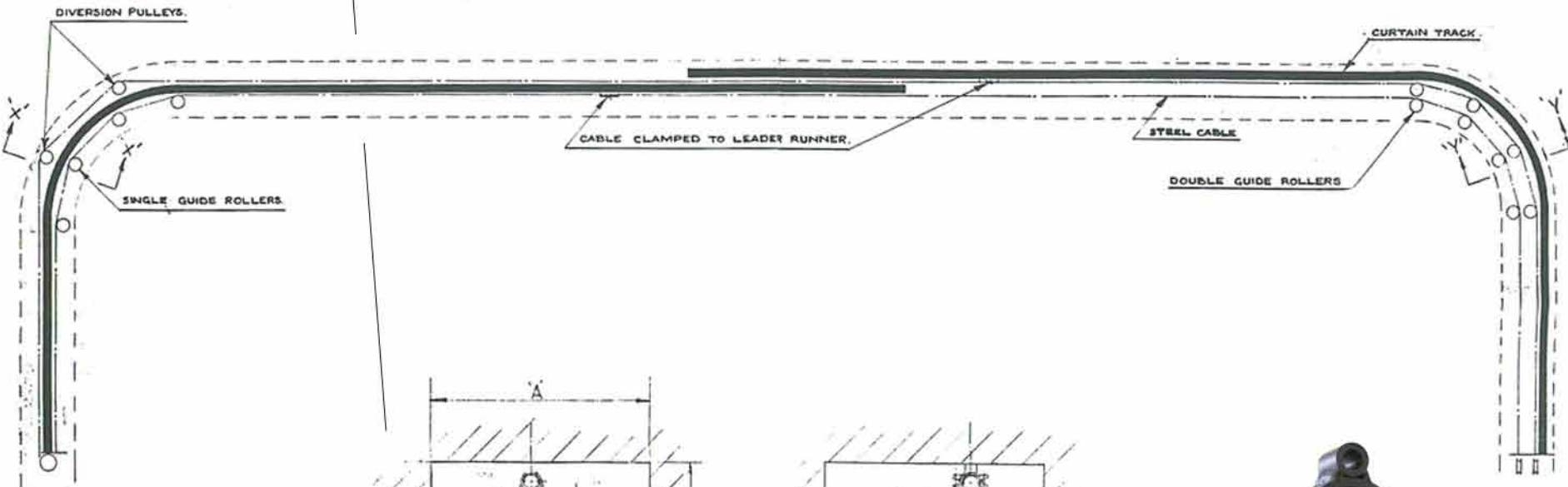
NOTE. THE FOLLOWING ITEMS ARE SECURED BY M8 BOLTS WITH NUTS TO SUIT. (B-A) (C-A) (E-A) (F-A)

Hall Stage

PURVEYORS OF INNOVATIVE ENGINEERING SINCE 1988

Unit 4, Cosgrove Way, Luton, Beds, LU1 1XL
Tel: 0845 345 4255 Fax: 0845 345 4256
sales@hallstage.com www.hallstage.com

T70 Curved Guide Pulley Layout



T70 Track Details



The No. T-70 Curtain Track has, over the years, proved its reputation as one of the most versatile and dependable curtain tracks available to the entertainment industry. The main areas in which it is used being the large theatre, touring theatre, television studio cyclorama, cinema curtain track, and in most situations where heavy curtains are to be carried.

Methods of working the T-70 Curtain Track are by electric controller, hand winch, handline or walk along method. When controllers for tracks over 22m overlapped and 11m single are required, these are manufactured to suit our customers individual requirements.

Manufacture of the T-70 Curtain Track is from heavy gauge steel, electrically welded. A range of track sections are available in both curved and straight sections, from which it is possible to construct a number of track configurations. We recommend a maximum carrying capacity of 7 Kilo per carrier for the T-70 curtain track, these should be spaced at intervals of 300mm. A variety of suspension fittings are manufactured for use with the curtain track, most of them allowing for final height adjustment. Sales orders are inclusive of basic track components, excluding suspension fittings which are charged at extra cost.

T-70 Curtain Tracks are also available fitted with ball raced wheel runners and leaders, which increases the load capacity of each runner to 9 Kilo.



Hall Stage

PURVEYORS OF INNOVATIVE ENGINEERING SINCE 1988

Unit 4, Cosgrove Way, Luton, Beds, LU1 1XL
 Tel: 0845 345 4255 Fax: 0845 345 4256
 sales@hallstage.com www.hallstage.com

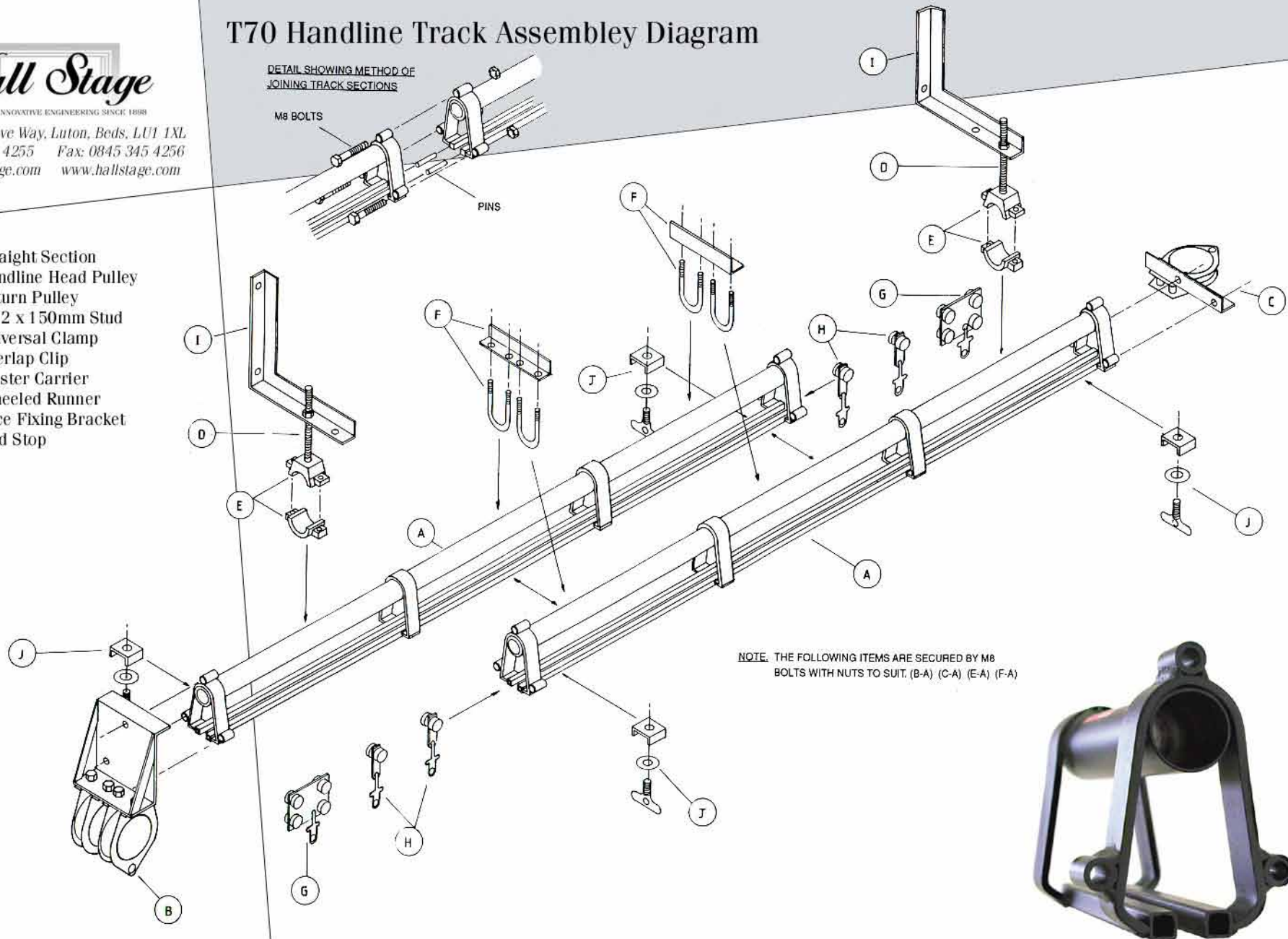
T70 Handline Track Assembly Diagram

DETAIL SHOWING METHOD OF JOINING TRACK SECTIONS

M8 BOLTS

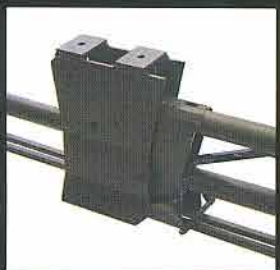
PINS

- A) T70 Straight Section
- B) T70 Handline Head Pulley
- C) T70 Return Pulley
- D) T70 M12 x 150mm Stud
- E) T70 Universal Clamp
- F) T70 Overlap Clip
- G) T70 Master Carrier
- H) T70 Wheeled Runner
- I) T70 Face Fixing Bracket
- J) T70 End Stop



Hall Stage Products

PART OF THE HARKNESS HALL GROUP



Heavy-duty T70 TRACK by Hall Stage

T70 Track is the heavy-duty system of choice for all long drop drupe sets for Stages and Studios worldwide. With a solid reputation for reliability and dependability, T70 provides high load capacity, making it the ideal track for heavyweight curtains, cycloramas and installations with extreme spans.

For single or overlapped operation, straight and curved sections enable the construction of a vast variety of configurations - with fixing kits to suit any application.

By using Hall Stage Track Systems you can be sure you can get additional parts and components - from stock - products supported for life.

Hall Stage - innovative products for the Entertainment industry

Hall Stage Products

The Gate Studios Station Road
Borehamwood Herts WD6 1DQ UK
Tel: 44 (0) 20 8327 3818
Fax: 44 (0) 20 8207 3657
e-mail: sales@harknesshall.com

See the complete T70 range...

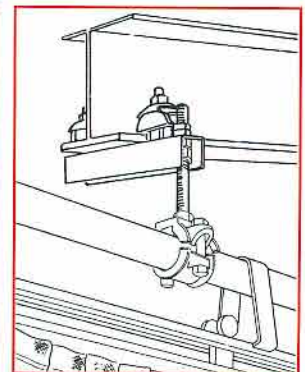
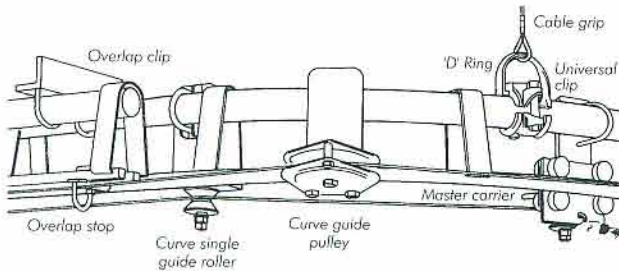
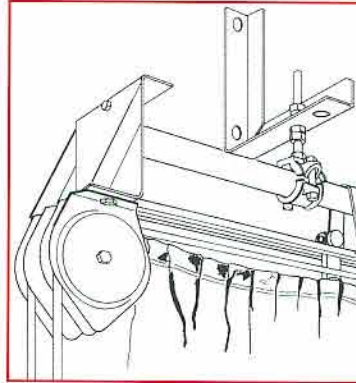
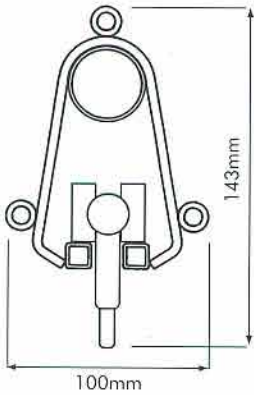
and the thousands of other Hall Stage
products at your Theatre Equipment
supplier now...or visit

www.hallstage.com



General Specifications

T70 TRACK



Application

Theatres, Opera houses, Touring shows, Proscenium tracks, Cyclorama tracks, Tracks for hanging on counterweight sets and powered bars.

Description

Steel fabricated track section.

Finish

Black powder coated.

Capacity

Wheeled runners 7kg capacity, one runner per 300mm. Optional ball raced wheeled carriers 9kg capacity. Scenery carriers to 45kg capacity.

Track forms

Straight: lengths 500mm - 3.00m.
Curved: sections from 1m radius.

Components

Wide range including: runners, pulleys, swivel arms and suspension systems.

Configurations

Vast range using track joints and accessories.

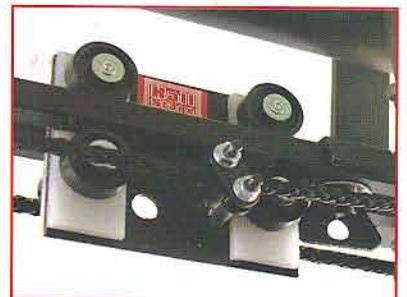
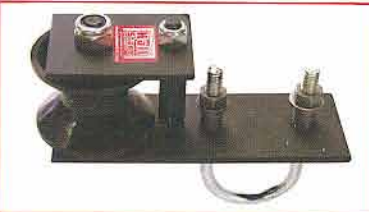
Operation

Handline, handwinch, electric controller or walkalong options. Rearfold options for hand or electric traverse systems.

Fixing

Range of standard fixing kits for most situations with specials to order.

Please refer to current price list for COMPLETE TRACK KITS and all available components.



Full specifications of the T70 track range, and other fine stage, theatre and cinema products may be obtained from our web site as downloadable Product Data Sheets.

For more information visit www.harknesshall.com or enquire via e-mail: sales@harknesshall.com

In line with a programme of continued product development and improvement, Hall Stage Products reserve the right to vary the specification, design or construction of any products/equipment described or offered for sale, or to withdraw or replace products/equipment without prior notification or public announcement.

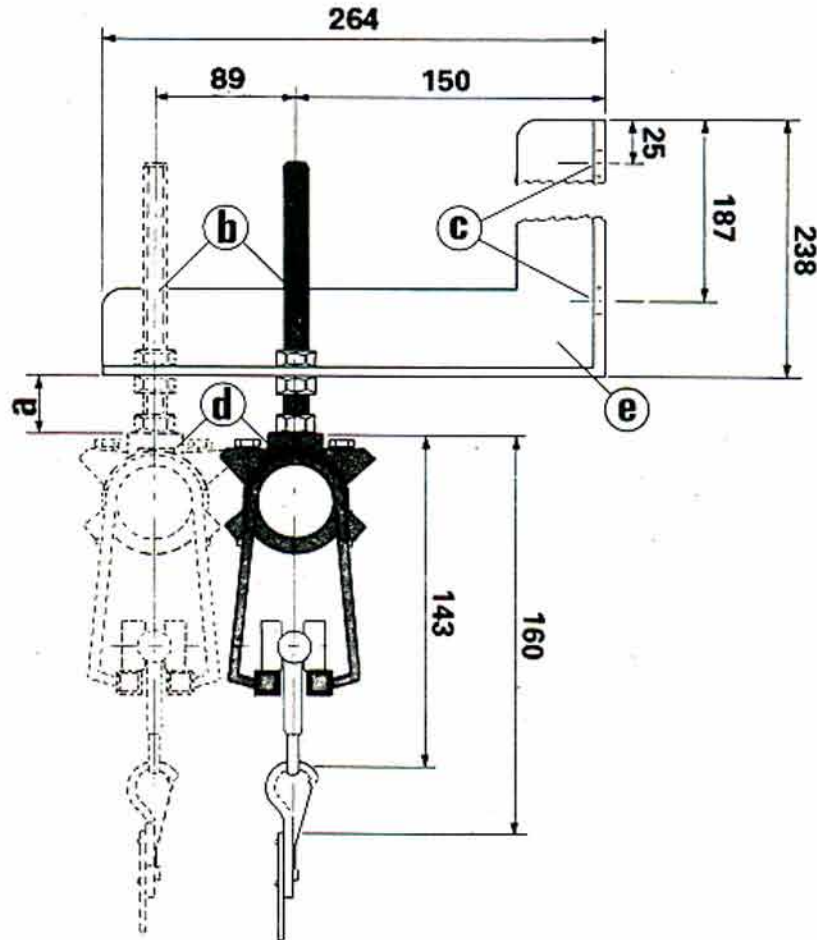
**Hall
Stage**
products

Tel:
+44 (0) 845 345 4255
Fax:
+44 (0) 845 345 4256

Hall Stage Limited, Unit 4, Cosgrove Way, Luton,
Bedfordshire, LUT 1XL, UK

T70 Mounting Details

- a) Degree of adjustmet
between 22mm - 92mm
- b) T70 M12 x 150mm Stud Bolt
- c) 12mm Clearance Holes
- d) T70 Universal Clamp
- e) T70 Face Fixing Bracket



T70 Track Dimensions

